

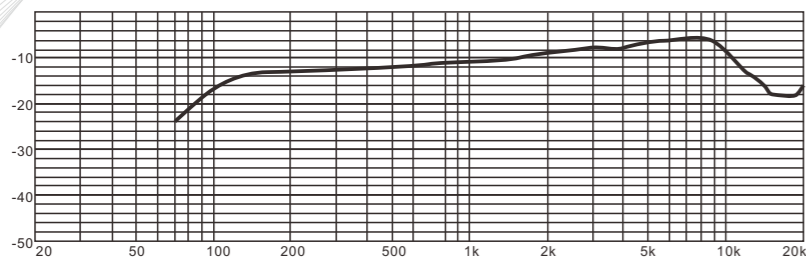
# MAS-D | MICROPHONE ARRAY SYSTEM



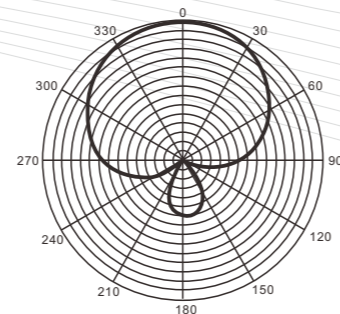
The MAS-D array microphone adopts a metal streamlined desktop design, which is stylish and succinct. It also has a unique microphone array technology and an integrated microphone module, which improves the range and quality of the array microphone. It ensures that the spokesman does not affect the sound effect within a certain range. Dispense microphone stem and the larger pickup range gives the spokesman more space to use.

## Key Features

- The array microphone provides a silent electronic switch that controls the microphone's radio operation and work indicator. When the red light is on, the microphone is muted, and when the green light is on, the microphone is in the radio state.
- It adopts PoE power supply and Dante protocol, and professional RJ45 connection. Only one network cable is connected to the switch with PoE power supply. It can be combined with other Dante devices to form the system output sound. It is easy to install and is ideal for various conferences, lectures and recordings.
- Thanks to the unique microphone module circuit design, the array microphone has a pickup distance of 80CM and a deeper pickup range, and the pointing characteristics are significantly improved compared with the general cardioid microphone.
- MAS-D array microphones feature radio frequency interference (RF) shielding technology that provides outstanding protection against radio frequency interference and avoids interference such as mobile phones when receiving radio.



Frequency Response



Polar Pattern

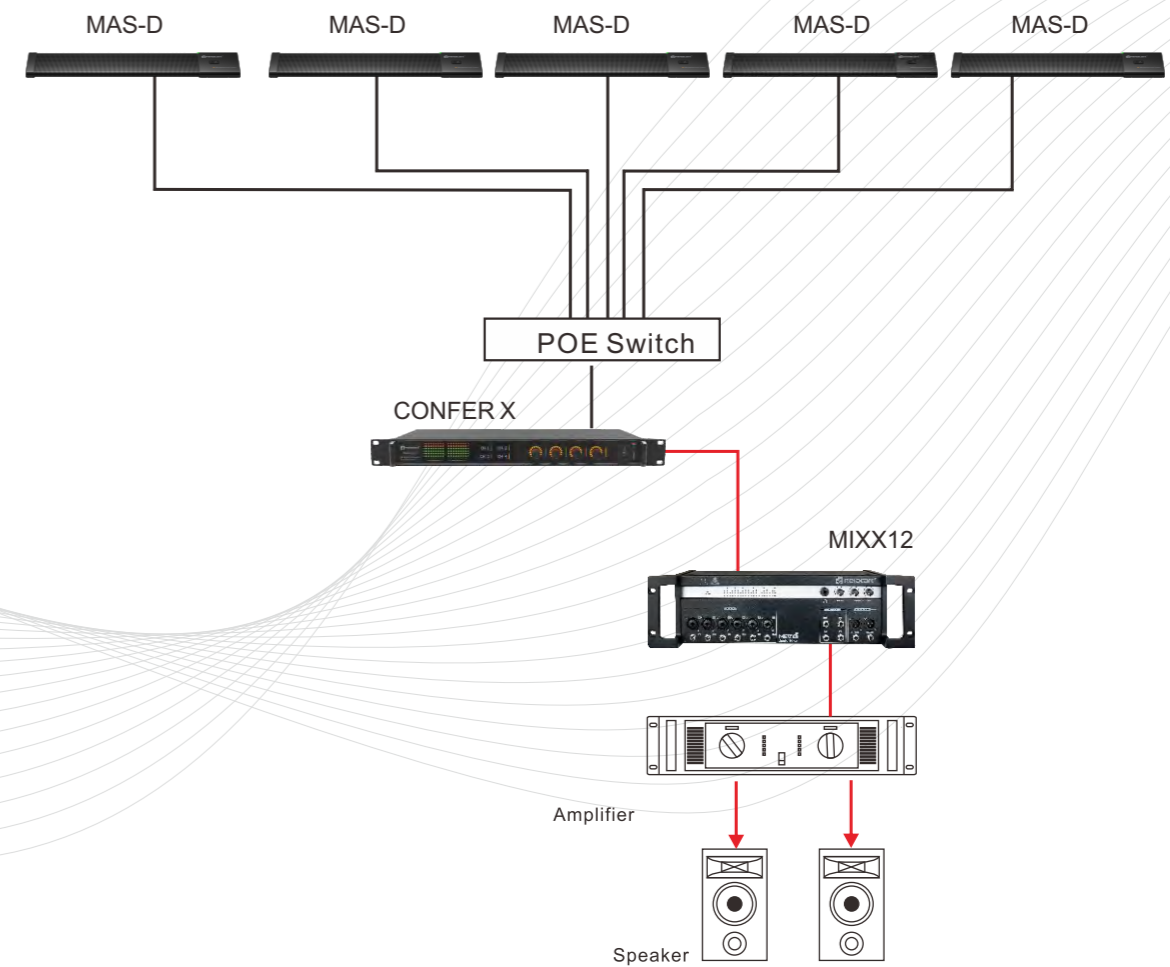
## Product Specification



MAS-D  
Microphone Array System

Frequency Response:	20-20000Hz
Input Impedance:	2.2KΩ
Sensitivity:	-11dB at 1KHz@1Pa
S/N Ratio:	65dB at 1KHz
SPL:	-14dBA at 1KHz@1Pa
Pickup Distance:	80CM
Port:	RJ45
Power Supply Mode:	PoE IEEE802.3
Power Consumption:	2.3W
Weight:	350g
Dimensions(mm):	320(W)×60(D)× 31(H)
DANTE Network:	RJ45 connector, CAT5 or CAT6 network above 100Mbps

## System Connection Diagram



■ Audio Cable  
■ Other Cable