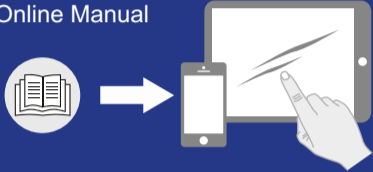




BG-24

True Diversity
Wireless Microphone System
Quick guide

Online Manual



www.relacart.com/downloads

BG-24_

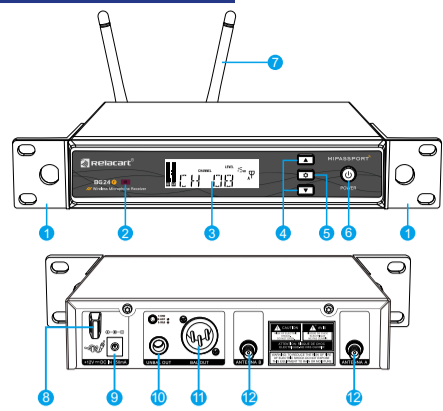


@relacart
@relacart
@relacart

Relacart Electronics Co., LTD.

1302, South tower world trade centre complex,
371-375 Huanshi Dong Road, Guangzhou
www.relacart.com

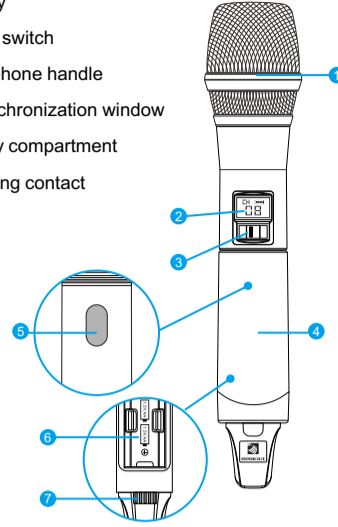
BG-24 Receiver



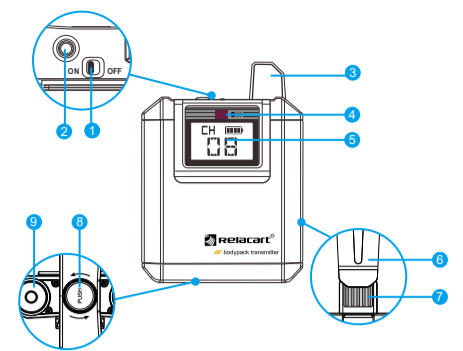
- 1 Corner code fixing bracket
- 2 Infrared data Transmission Window (iR)
- 3 LCD display screen
- 4 Select button
- 5 Set button
- 6 Power switch
- 7 SMA antenna
- 8 Anti pull device
- 9 DC power socket
- 10 Φ6.3mm parallel audio output
- 11 XLR balanced audio output
- 12 RF antenna input

BG-24 Wireless handheld microphone

- 1 Microphone pickup module
- 2 Display
- 3 Power switch
- 4 Microphone handle
- 5 IR synchronization window
- 6 Battery compartment
- 7 Charging contact

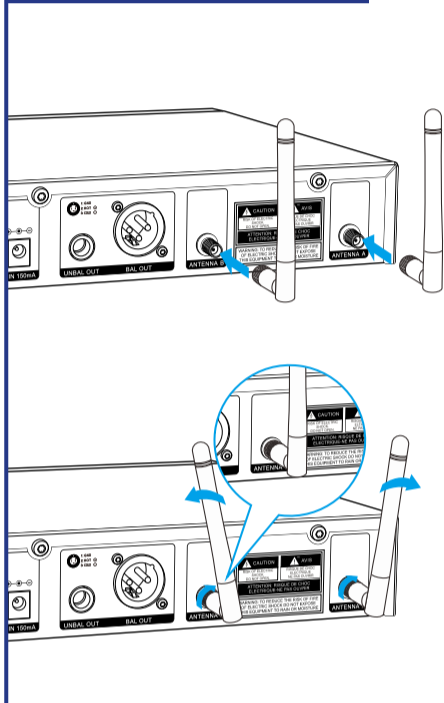


BG-24 Wireless lavalier microphone

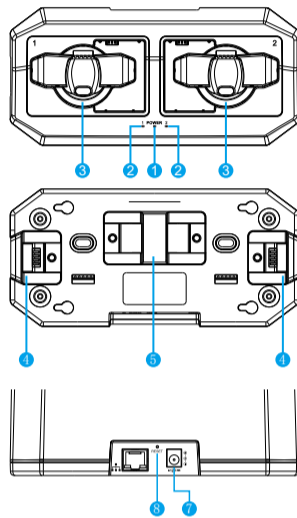


- 1 Power switch
- 2 Audio input socket
- 3 Transmitting antenna
- 4 IR synchronization window
- 5 Display
- 6 Fixed back clip
- 7 Charging contact
- 8 Battery compartment open button
- 9 Battery compartment

SMA antenna installation



Charging stand

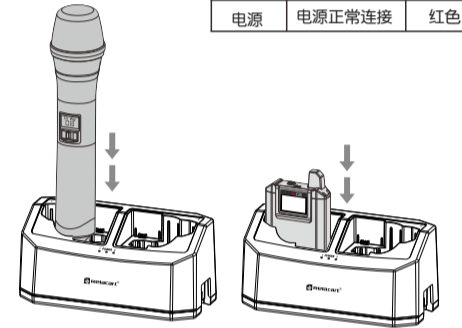


- 1 Power indicator light
- 2 Charging slot charging status indicator light
- 3 Charging cabin
- 4 Charging dock level connection port
- 5 Charging dock connection accessory slot
- 6 Charging dock connector
- 7 DC IN power socket
- 8 Reset hole

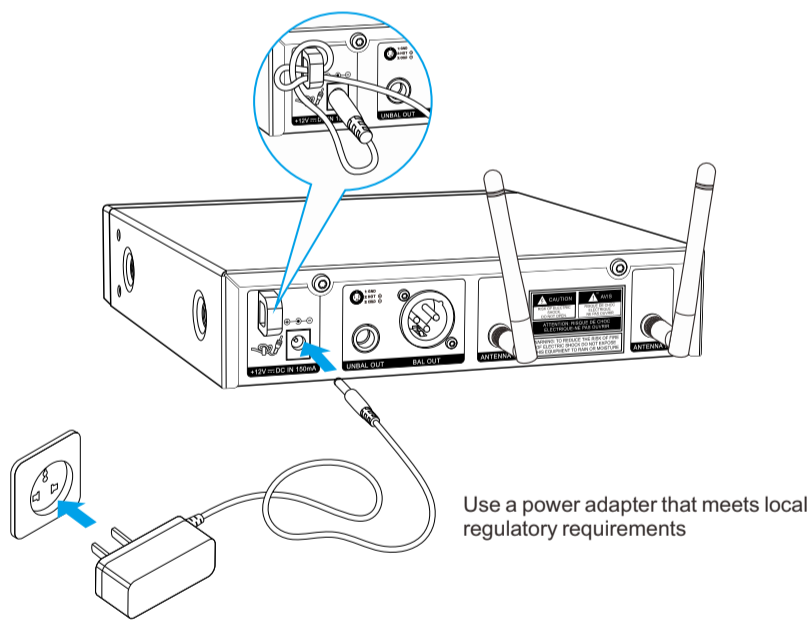
充电时，将电池和发射机放在充电舱中，如图所示。LED 点亮指示电池状态。

1 POWER 2
充电状态 电源 充电状态

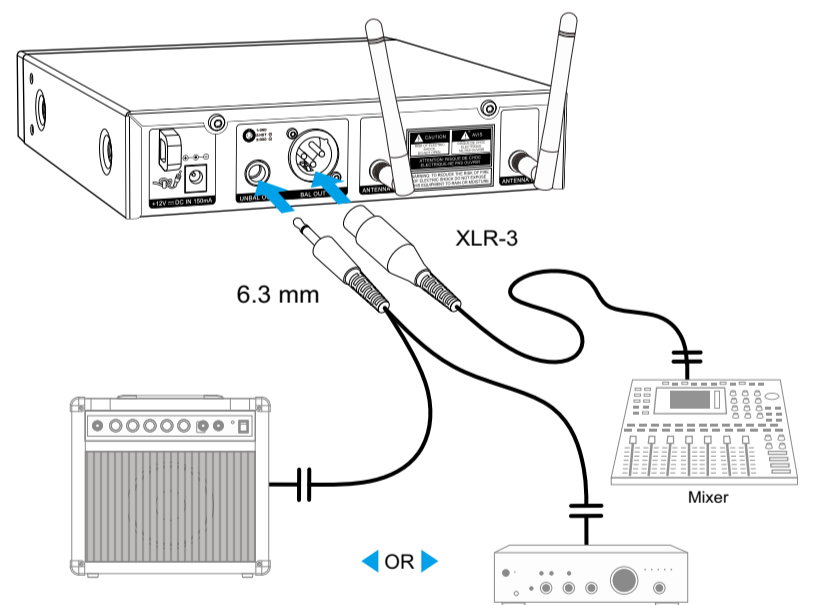
	状态	指示灯
1/2 充电舱	正在充电	红色慢闪
	充电完成	绿色
电源	错误/异常	红色快闪
电源	电源正常连接	红色



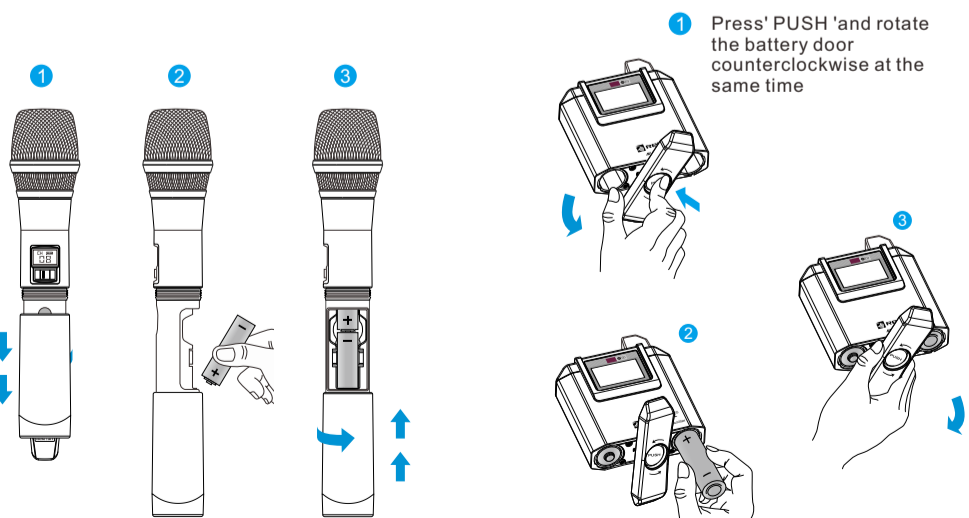
Connect the power adapter



Connect audio output



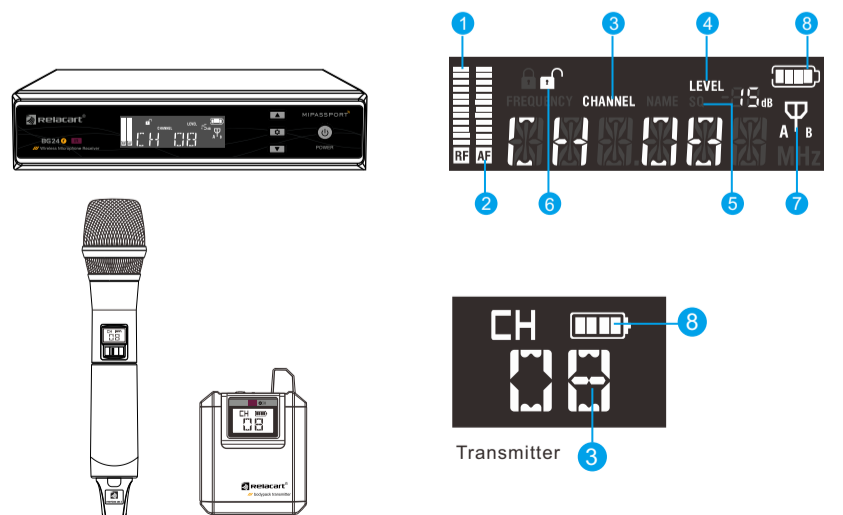
Installation of transmitter battery



2 AA batteries (pay attention to polarity markings)

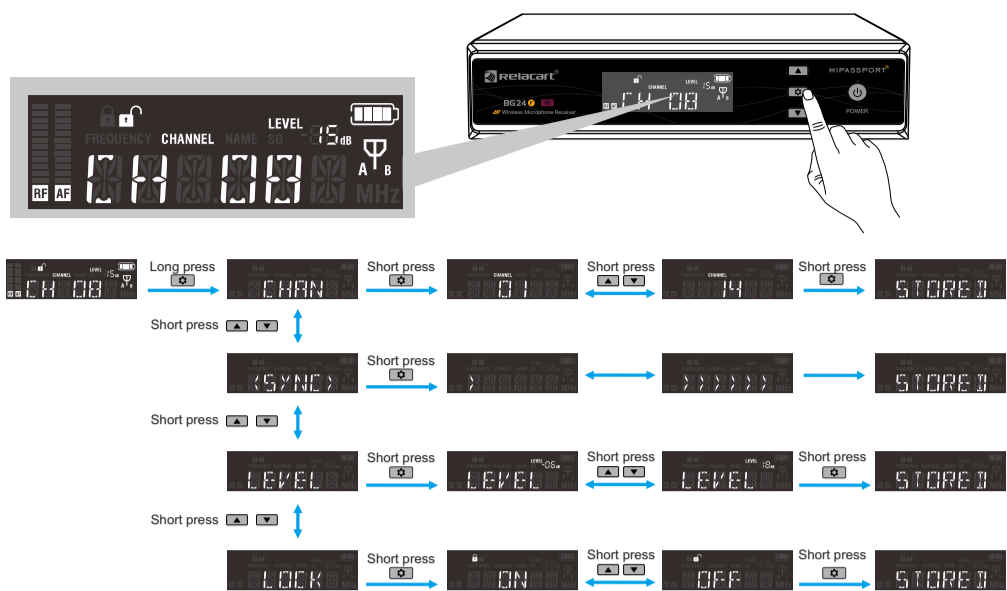
2 AA batteries (pay attention to polarity markings)

Display

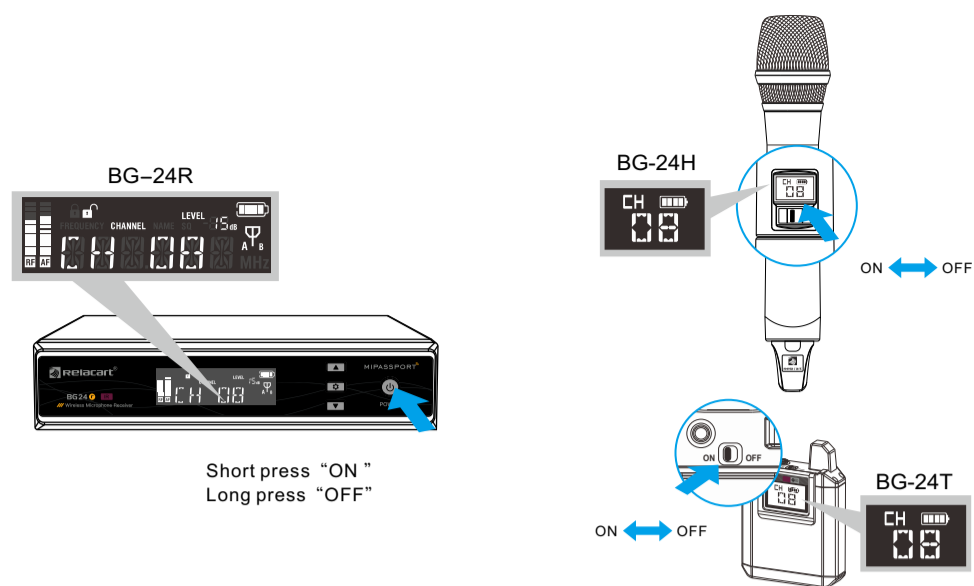


- 1 RF signal
- 2 Audio output signal
- 3 Channel
- 4 Volume level
- 5 Volume level value
- 6 Receiver keyboard lock
- 7 RF antenna status
- 8 Transmitter battery level

Operations



ON/OFF



Automatic frequency search



Long press "▲" 3 seconds

After entering the "AFS" function for automatic frequency scanning, a channel search interface will appear.

Find the current interference free frequency

Synchronous frequency matching

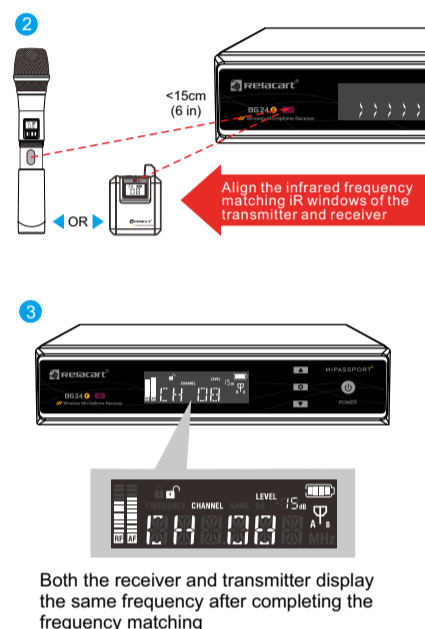


Long press "⚙️" 3 seconds

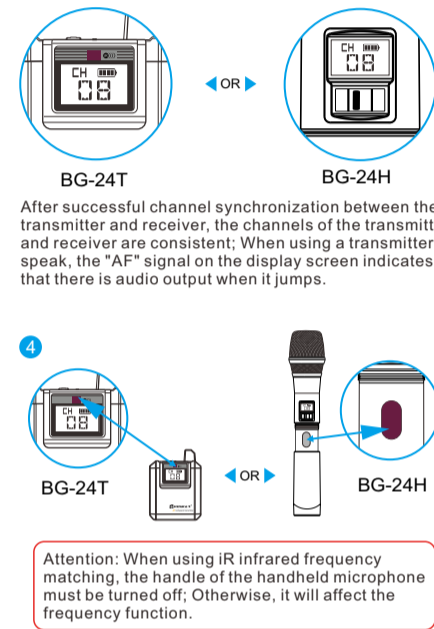
Short press "▼" to select the "SYNC" menu

Short press "⚙️" to confirm and start frequency matching

During the frequency matching process, the receiver's iR frequency matching light flashes



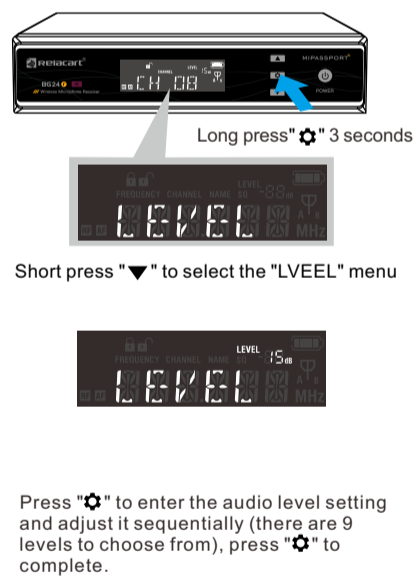
Both the receiver and transmitter display the same frequency after completing the frequency matching



After successful channel synchronization between the transmitter and receiver are consistent; When using a transmitter to speak, the "AF" signal on the display screen indicates that there is audio output when it jumps.

Attention: When using iR infrared frequency matching, the handle of the handheld microphone must be turned off; Otherwise, it will affect the frequency function.

Audio output adjustment



Long press "⚙️" 3 seconds

Short press "▼" to select the "LEVEL" menu

Press "⚙️" to enter the audio level setting and adjust it sequentially (there are 9 levels to choose from), press "⚙️" to complete.

Receiver key lock

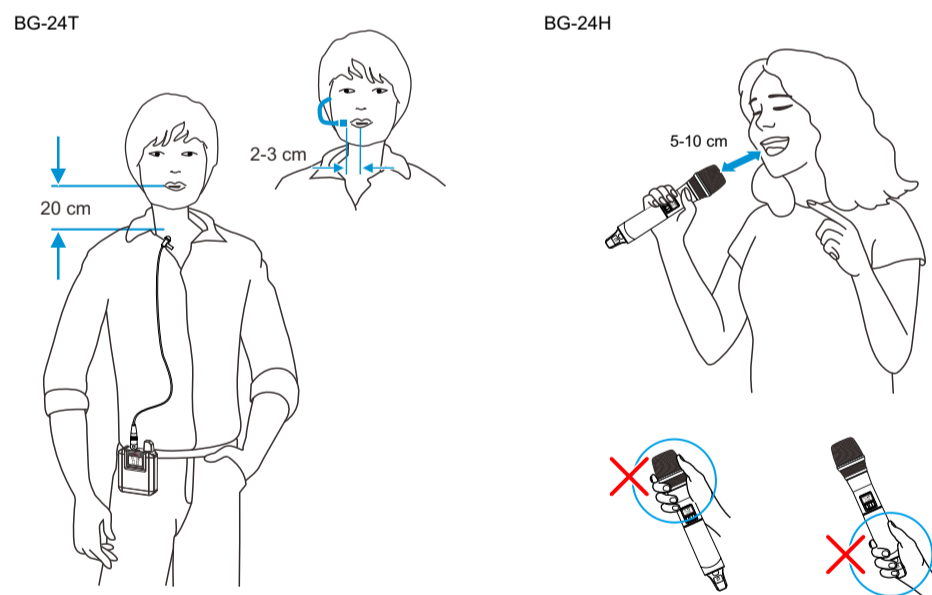


Long press "⚙️" 3 seconds

Short press "▼" to select the "LOCK" menu

Press "⚙️" to select keyboard lock "ON" or unlock "OFF", select "ON" and press "⚙️" to lock the receiver and prevent any operation.

Use of transmitter



specifications

Model: BG-24 Receiver

Receiving Channel: Single channel
Reception Method: Antenna diversity/frequency diversity
Audio format: Relacart proprietary digital audio format
Wireless Carrier Frequency: 2.4-2.48GHz
Compatible Channels: ≥ 14
Display Channel: LCD
Effective Distance: 70 meters (open space)
Sampling: 24bit/48kHz
Encryption: AES-256
Delay: ≤ 3.8ms
Dynamic Range: ≥ 110dB (A-weighted)
Frequency Response: 20Hz-20kHz
Comprehensive T.H.D.: <0.1% @ 1kHz (± 1dB)
System Gain Adjustment: (-18~18 dB)
Audio Output Interface: XLR-M/6.3mm
Power Supply: DC/12V
Current Load: ≤ 110mA
Dimensions(mm): 200 (L) x 200 (D) x 44 (H)

Model: BG-24 Transmitter

Audio Format: Relacart proprietary digital audio format
Wireless carrier frequency: 2.4-2.48GHz
Transmission method: frequency diversity
Modulation method: GFSK
Transmission rate: 1Mbps
Sampling: 24bit/48kHz
Compatible channels: ≥ 14
Display channel: OLED
Dynamic range: ≥ 110dB (A-weighted)
Frequency response: 20Hz-20kHz (± 1dB)
Sensitivity: ≤ -45dB
RF power: ≥ 50mW
Power supply: alkaline battery (AA) x 2
Current load: 145mA (typical value)
Battery Life: ≥ 8 hours
Dimensions(mm):
Handheld microphone: 55 (Φ) x 269 (L)
Lavalier microphone : 65 (L) x 21.3 (W) x 75.5 (H)



www.relacart.com



Product Manual