

WX4

Presentation:

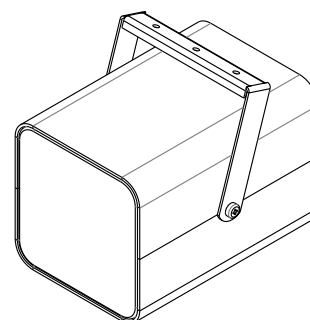
The WX4 is public address audio projector prepared for outdoor use.

The aluminum enclosure comprises 1x 4" (0.75in VC) Full range transducer placed on one of the ends to make this an unidirectional speaker. There is an integrated 100V 'matching transformer' allowing multiple WX4 to be connected together in high impedance installations.

Power tapping is offered through cable - ABS gland (outdoor use).

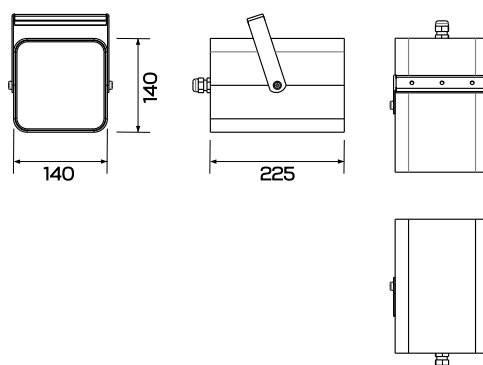
Made of lightweight and rugged AL, the WX4 can deliver in any colour (not just black or white) and is supplied with a hanging bracket.

Offering a very clean design this WX4 can use in a wide variety of public address applications, a professional solution for contractors suited for noisy audio installations such as shops, shopping malls, supermarkets, underground stations, car parks, factories, etc.



Features:

- Public address audio projector
- Slim and clean design
- 4" FR EU transducer (unidirectional)
- Suitable for 100V high imp. installations
- Cable gland for outdoor use
- Supplied with hanging bracket
- Rugged AL enclosure
- Powder coated iron mesh grille
- Can supply in colors other than black or white



Technical specifications:

Acoustical

Type	Full range audio projector
Transducer type	4" FR transducer
	Bidirectional
Power taps (100V)	10W/15W/30W
Frequency range	150Hz - 14kHz
Sensitivity	95dB (1W@1m)
Max. SPL	100dB

Mechanical

Colour	RAL9016
	Others available upon request
Housing	Aluminum, cable gland
	Suited for outdoor use
Grille	Powder coated iron mesh
Installation	Hanging bracket (supplied)
Dimensions	140x140x225mm
	5.51x5.51x8.86in
Weight	2.5Kg
	5.51lb

