

HL215

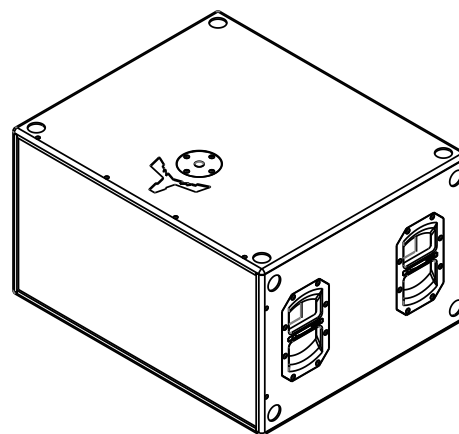
Presentation:

The HL series is a horn-loaded subwoofer range designed to satisfy the need for an extreme high-SPL sub bass loudspeaker system for use in applications requiring accurate and powerful reproduction of low frequency energy at very high levels.

This HL215 incorporates two high performance 15" extended LF transducer (4in voice coil) with high heat dissipation to allow the subwoofer to produce a continuously high SPL over a long time, increased program power handling and lower power compression delivering a uniform and stable frequency response at all power levels.

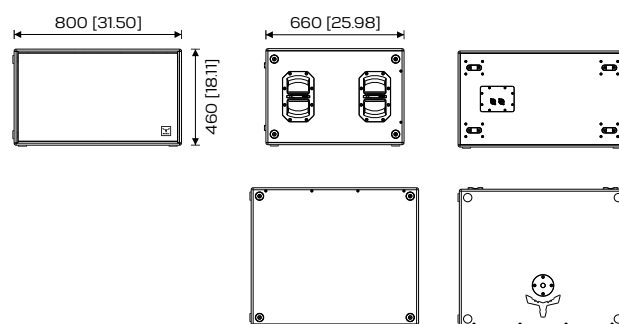
The enclosure is constructed from 18mm plywood having a rugged and durable polyurea coating, equipped with recessed carrying handles and stacking feet. The cabinet is prepared to fit heavy duty wheels to aid in handling and transportation.

The HL series is engineered to provide maximum output with minimal distortion and smooth extended low frequency response and thanks to its long throw range, accuracy, high definition bass reproduction, the HL215 is suited for both fixed and mobile systems, nightclubs, large scale concert touring and festival applications integrated into line array applications.



Features:

- Dual horn-loaded subwoofer
- High power density, high level output
- Excellent "punch", extended Low frequency
- 2x 15" (4in VC) EU transducer (high excursion)
- Extended sub frequency response to 35 Hz
- 2x NL4 parallel-connected
- Rugged and durable 18mm birch plywood construction
- Black textured Polyurea coating
- Powder coated custom perforated steel grille
- Recesses on the top to facilitate the stacking
- Heavy duty wheel casters on the back (optional)



Dimensions in mm [in]

Technical specifications:

Acoustical

Type	Compact passive subwoofer
Enclosure design	Horn-loaded
Power rating (RMS/Peak)	1400W / 5600W
Frequency range	35 - 120Hz (-3dB)
Nominal impedance	40ohm
Transducer type	2x 15" LF (4in VC) EU transducer
Crossover frequency	65Hz Butterworth 18dB (Low cut filter)
SPL (1W/1kHz)	134dB @ 1m (continuous) 137dB @ 1m (peak)
Connector	2x NL4 speakon parallel-connected

Mechanical

Enclosure	18mm birch plywood, rugged polyurea coating
Grille	Custom perforated metal grilles w/ acoustic foam
Color	Black or white textured
Hardware	4 rubber feet, 2 side handles Ø35mm pole mount socket Prepared for stacking
Dimensions	800x660x440mm 31.50x25.98x18.11in
Weight	54Kg 119.05lb

