

CX12

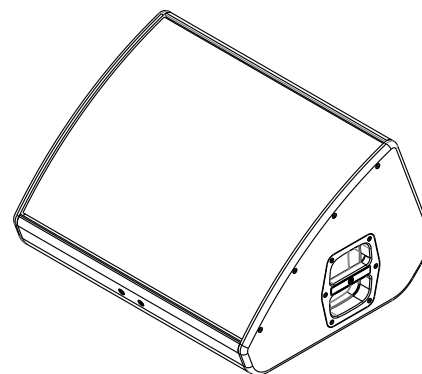
Presentation:

The SOUL stage monitor series delivers a complete sound reinforcement solution to fulfil the highest demands of audio professionals for both fixed installation and rental production markets.

This SOUL CX12 monitor is equipped with an European transducer having the LF element a 4in voice coil combined with the HF 2.9in voice coil matching the curvilinear profile LF cone that provides smooth response within its intended frequency range and the integrated HF compression driver that has been designed to give smooth coherent wave front in the horn entrance in all working frequency range for a surprising performance.

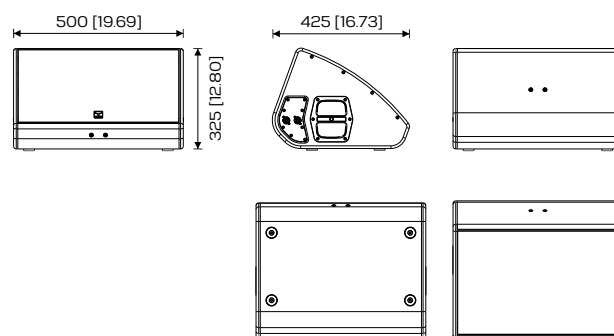
To make it portable and flexible, there is a pole mount in one side and for the passive versions a speakon connector attached to link another monitor.

The SOUL series is the perfect solution for sound reinforcement applications such as front of house, floor monitor and distributed systems.



Features:

- Professional coaxial stage monitor
- 2-way passive version
- 12" LF (4in VC) + 2.9" HF voice coil European transducers
- Faithful dynamic response and great range
- Connector plate on the bottom with 2x Speakon NL4
- Integrated Ø35mm pole mount
- Rugged and durable 15mm birch plywood construction
- Powder coated custom perforated steel grille
- Elegant looking professional enclosure



Dimensions in mm [in]

Technical specifications:

Acoustical

Type	2-way passive coaxial stage monitor
Enclosure design	Wedge cabinet - bass reflex
Power rating (RMS/Peak)	400W / 80W (AES), 1600W (Peak)
Frequency range	80 - 20kHz (10dB)
Nominal impedance	8 ohm
Transducer type	12" coaxial EU transducer LF 4in VC + HF 2.9in VC
Dispersion	80° Axisymmetrical (conical)
Crossover frequency	1500Hz
SPL (1W/1kHz)	128dB @ 1m
Connector	2x NL4, parallel-connected

Mechanical

Enclosure	15mm birch plywood, rugged polyurea coating
Grille	Custom perforated metal grilles w/ acoustic foam
Color	Black or white textured
Hardware	2 side handle, 4 rubber feet Wallmount bracket (optional)
Dimensions	500x425x325 19.69x16.73x12.80in
Weight	25Kg 55.16lb

