

GS12A - GS18A - GS218A

Active subwoofer with DSP on board



GS12A

12" Active subwoofer with 4x750W @ 4Ω Class D amplifier Built-in DSP

Technical specifications
Type Powered Subwoofer
Transducers 12" ferrite magnet woofer
Frequency Response ¹ 37 Hz - 150 Hz (-6 dB)
Max SPL ² 122 dB (peak)
Coverage Omni
Amp Module 4-channel Class-D
Output Power 4x 750 W @ 4 Ω
Operating Voltage 100-240V AC, 50-60 Hz
Power Consumption 375W Rated Load, (1/8 Max Output Power)
DSP Features Remote control and tuning Input and Output Delay Parametric input EQ Output parametric filters
Connectors RJ45 for remote control 2x Combo XLR Input 2x SpeakON Output 1x PowerCon True AC MAINS
Controls Volume potentiometer Preset selector Remote control through Powersoft ArmoniaPlus
Dimensions (WxHxD) 410 x 445 x 430 mm (16.1 x 17.5 x 17 in)
Weight 20 kg (44,09 lb)

- 1 With dedicated preset.
- 2 Maximum SPL is calculated using a signal with crest factor 4 (12dB) measured at 1 m.

GS18A

18" Active subwoofer with 4x1500W @ 4Ω Class D amplifier Built-in DSP

Technical specifications
Type Powered Subwoofer
Transducers 18" ferrite magnet woofer
Frequency Response ¹ 35 Hz - 150 Hz (-6 dB)
Max SPL ² 132 dB (peak)
Coverage Omni
Amp Module 4-channel Class-D
Output Power 4x 1500 W @ 4 Ω
Operating Voltage 100-240V AC, 50-60 Hz
Power Consumption 500W Rated Load, (1/8 Max Output Power)
DSP Features Remote control and tuning Input and Output Delay Parametric input EQ Output parametric filters
Connectors RJ45 for remote control 2x Combo XLR Input 2x SpeakON Output 1x PowerCon True AC MAINS
Controls Volume potentiometer Preset selector Remote control through Powersoft ArmoniaPlus
Dimensions (WxHxD) 545 x 610 x 600 mm (21.46 x 24.03 x 23.6 in)
Weight 35,4 kg (44,09 lb)

- 1 With dedicated preset.
- 2 Maximum SPL is calculated using a signal with crest factor 4 (12dB) measured at 1 m.

GS218A

2x 18" Active subwoofer with Class D amplifier 4x1500W @ 4Ω Built-in DSP

Technical specifications
Type Powered Subwoofer
Transducers 2x 18" ferrite magnet woofer
Frequency Response ¹ 35 Hz - 150 Hz (-6 dB)
Max SPL ² 138 dB (peak)
Coverage Omni
Amp Module 4-channel Class-D
Output Power 4x 1500 W @ 4 Ω
Operating Voltage 100-240V AC, 50-60 Hz
Power Consumption 500W Rated Load, (1/8 Max Output Power)
DSP Features Remote control and tuning Input and Output Delay Parametric input EQ Output parametric filters
Connectors RJ45 for remote control 2x Combo XLR Input 2x SpeakON Output 1x PowerCon True AC MAINS
Controls Volume potentiometer Preset selector Remote control through Powersoft ArmoniaPlus
Dimensions (WxHxD) 1035 x 614 x 600 mm (40.75 x 24.17 x 23.6 in)
Weight 59 kg (130 lb)

- 1 With dedicated preset.
- 2 Maximum SPL is calculated using a signal with crest factor 4 (12dB) measured at 1 m.

The KGEAR active subwoofers family comprises three heavy duty 12", 18" and 2x 18" high excursion transducers: GS12A, GS18A and GS218A respectively.

Equipped with Powersoft™ DSP and power module with Ethernet remote control and Armonia™ control software, GS12A, GS18A and GS218A can be coupled with GH4, GF82, GH12 and GH412 passive loudspeakers and to passive subwoofers, thanks to dedicated recalling presets. They have also High-Pass filters @ 130Hz for matching with other speakers from KGEAR families.

This resistant rugged subwoofers are designed for high performance indoor applications, suiting both permanent installations, touring and rentals, in live events, clubs, auditorium, stadium, and theme parks.

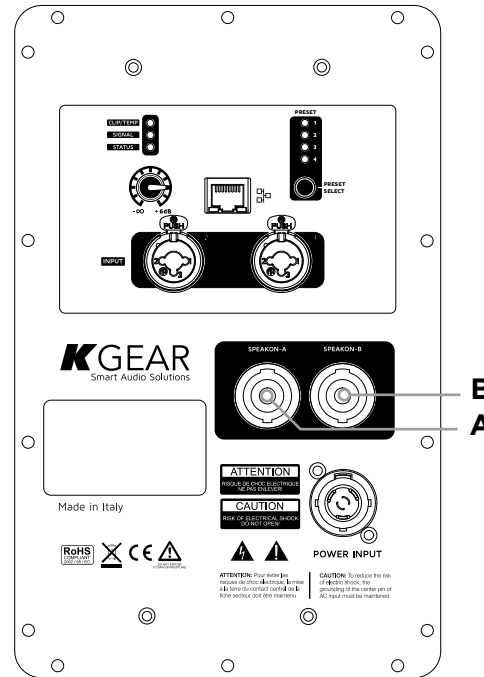
GS12A - GS18A - GS218A

Any KGEAR active subwoofers can control a passive satellites and a passive subwoofer connected to SpeakOn A (wired 2+ 2-) and to SpeakOn B 1+ 1- respectively

To match the correct output via Armonia software choose output channel 1 / 4 for satellites and output channel 2 / 3 for passive subwoofer.

Dedicated preset to match passive subwoofers and passive speakers or satellites are listed in the tables to the right.

More information about system configuration can be found on GPZA or GPXA user guide documentations.



B
A



*ArmoniaPlus is the software for fine tuning and monitoring the GP18A loudspeakers system. Download ArmoniaPlus from Powersoft website:
<https://www.powersoft.com/en/software/armoniaplus-2-0>

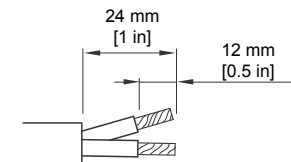
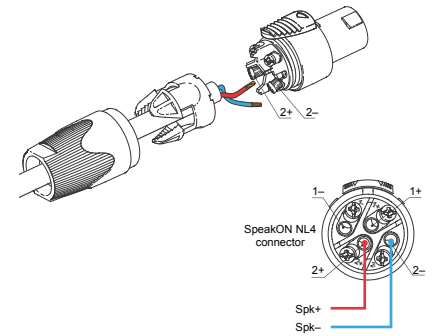
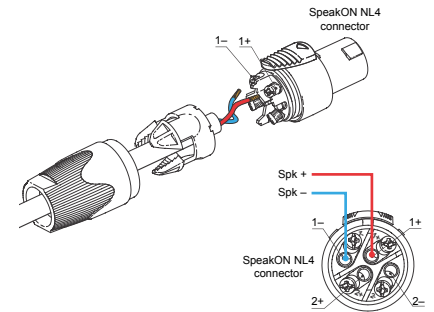
Connector	Terminals	Transducer
SpeakON A	+1 -1	satellites
	+2 -2	subwoofers
SpeakON B	+1 -1	satellites
	+2 -2	subwoofers

Presets on board

#	Preset Name
1	GS12 + GH4 (locked)
2	GS12 + GF82 (locked)
3	GS12 + GF162 (locked)
4	GS12 + Hi Pass @ 130Hz Editable preset by the user

#	Preset Name
1	GS18 + GH4 (locked)
2	GS18 + GH12 (locked)
3	GS18 + GF162 (locked)
4	GS18 + Hi Pass @ 130Hz Editable preset by the user

#	Preset Name
1	G2S18 + GH4 (locked)
2	G2S18 + GH12 (locked)
3	G2S18 + GH412 (locked)
4	G2S18 + Hi Pass @ 130Hz Editable preset by the user



Mechanical Drawings

