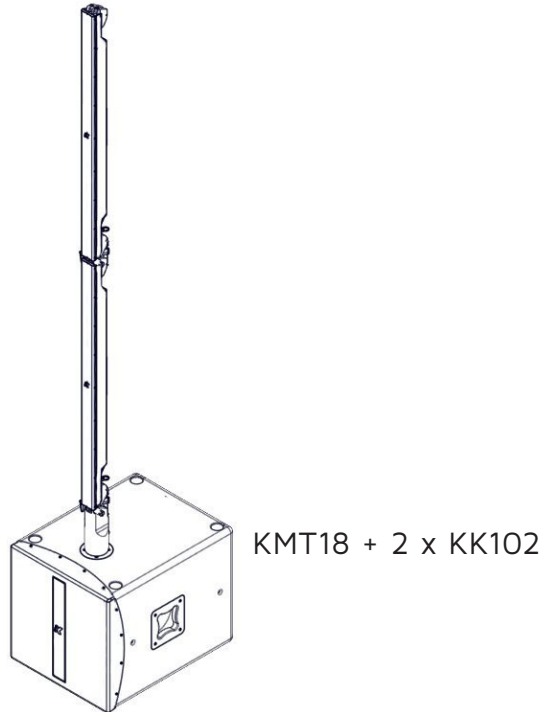


8.6 STANDING ON A KMT SUBWOOFER

Up to two meters of KK52/KK102 can be mounted on a KMT subwoofer by using the K-FOOT2 and K-JOINT2 accessories.

Acoustically speaking, two KK102s perfectly match with a KMT18 subwoofer. An excellent example of the use of this combination is the K-array portable system KR202.



8.7 OUTDOOR INSTALLATION

In case of outdoor installation, use the K-IP65KITA weatherproof cap (not included) to close not connected NL4 sockets. Use the K-IP65KITB weatherproof rubber cable cover (not included) to further protect wired NL4 connectors. We also recommend to not remove the protection plate that covers the switches.

