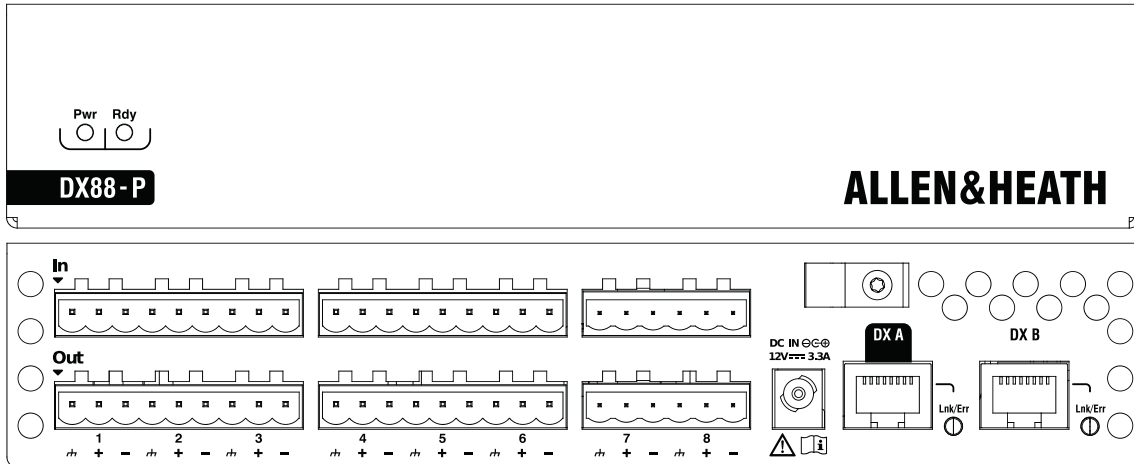


DX88-P

Technical Datasheet



Features

- Compatible with dLive, Avantis, SQ and AHM
- 8 Mic/Line Inputs on Phoenix euroblock connectors
- 8 Outputs on Phoenix euroblock connectors
- +48V phantom power
- DX A connection with Ethernet port
- DX B port for daisy chaining
- DC 12V powered
- Optional rack mount kit available

A&E Specification

The unit shall be a portable remote audio device for dLive, Avantis, SQ and AHM mixing systems.

The remote audio unit shall have 8 balanced inputs on pluggable Phoenix terminal blocks. Each input shall have independent gain control with +60dB of gain, a -20dB active PAD and +48V Phantom Power

The unit shall have 8 balanced outputs on pluggable Phoenix terminal blocks with a nominal level of +4dBu.

Two Ethernet DX link connectors shall be provided for transport of the digital audio and control signals. The unit shall have a 'cascade' connection to allow series connection of two units with a single cable connection to the dLive, Avantis, SQ or AHM mixing system.

The Ethernet protocol shall provide control to the remote preamp, and all mic preamps are scene recallable by the digital mixing system.

Unit firmware shall automatically be updated when connected to the digital mixing system.

The remote audio rack shall have a robust steel chassis and shall be freestanding, desk-mounted or mounted in a 19" equipment rack or case using an optional rack mounting kit.

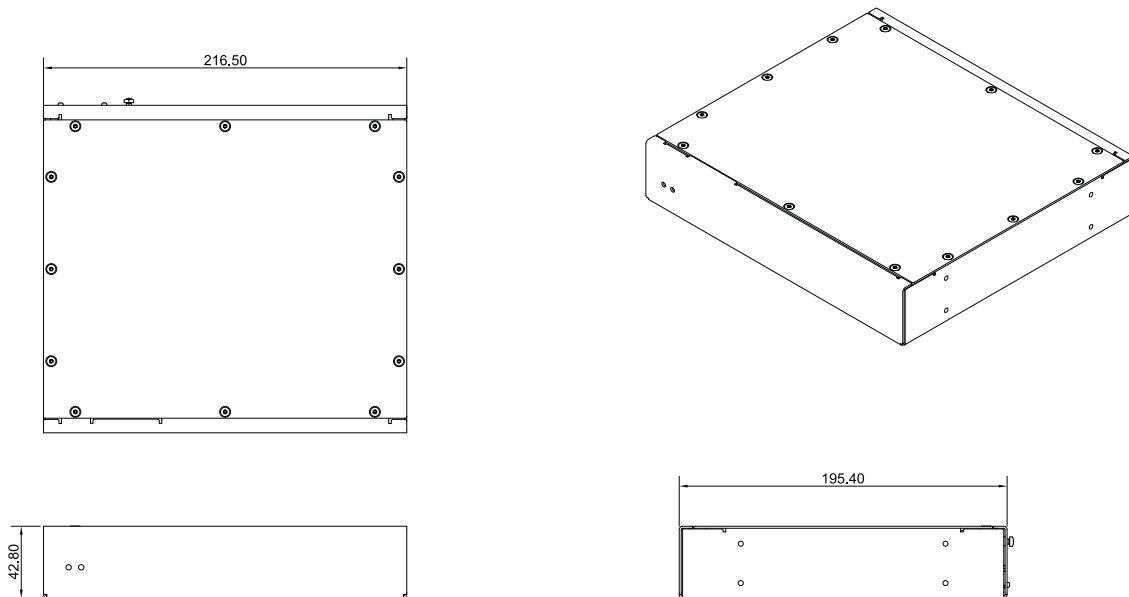
The optional rack mounting unit shall be of a robust construction and allow for two units to be installed in a single rack unit. It should also allow for the blanking of one half if only one unit is installed.

The unit shall have an external power supply connection accepting 12V DC, 3.3A, 39.6W max via a power supply provided with the unit.

Recommended operating temperature for the remote audio rack shall be 0 to 40 degrees Celsius.

The unit shall be the Allen&Heath DX88-P.

Dimensions



Technical specs

Inputs

Mic/Line Inputs	Balanced Phoenix, +48V phantom power
Mic/Line Preamp	Fully recallable
Input Sensitivity	-60 to +15dBu
Analogue Gain	+5 to +60dB, 1dB steps
Pad	-20dB Active PAD
Maximum Input Level	+30dBu (PAD in)
Input Impedance	>4k Ω (Pad out), >10k Ω (Pad in)
Mic EIN	-127dB with 150 Ω source

Sample Rate 96kHz

Outputs

Analogue Outputs

Output Impedance	<75 Ω
Nominal Output	+4dBu = 0dB meter reading
Maximum Output Level	+21dBu
Residual Output Noise	-92dBu (muted, 20-20kHz) -90dBu (muted, 20-40kHz)

Operating Temperature 0 deg C to 40 deg C
(32 deg F to 104 deg F)

Power 12V DC via external PSU, 3.3A max, 39.6W max

Dimensions and Weight Width x Depth x Height x Weight
216.5 x 195.4 x 42.8 mm x 1.51kg