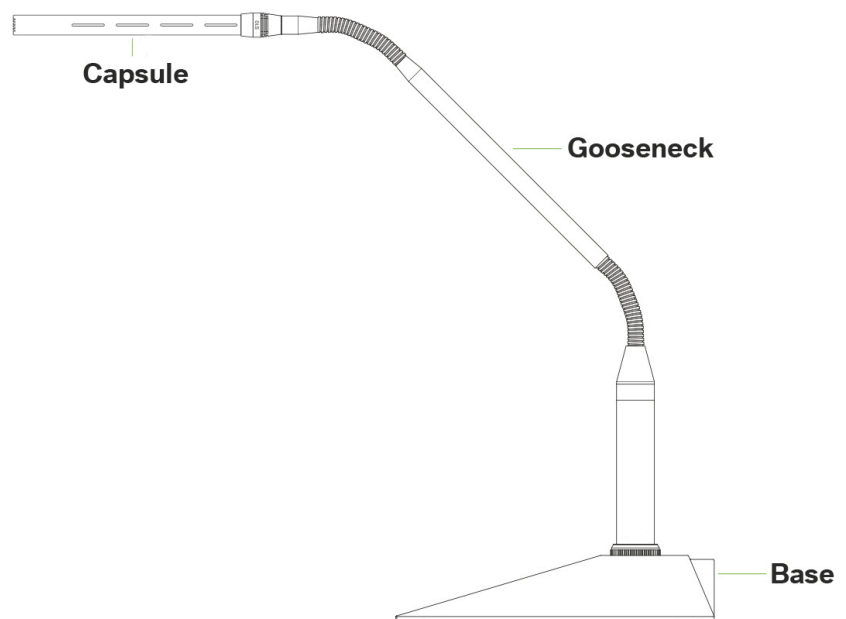




Modular system

Tailored to your needs

The LEWITT conference system consists of three distinguished components - capsule, gooseneck, base - and can be tailored according to your specific application and room. The LEWITT Conference Series provides pleasantly clear and intelligible voice reproduction for podiums, houses of worship and conference rooms of any size. State-of-the-art decoupling minimizes structure-borne noise. Handling noise is strongly reduced. Adapt to your preferences without compromises. All components are built from sturdy, reliable materials and can be exchanged effortlessly.



Condenser capsule

Our conference condenser capsules, **S6** and **S10**, provide natural, transparent, and most intelligible voice reproduction. With highly efficient off-axis rejection and high gain before feedback, your voice will stay in focus regardless of the specific room situation. Compatible with all of our available goosenecks (**GN15X**, **GN35X**, **GN35X2**).

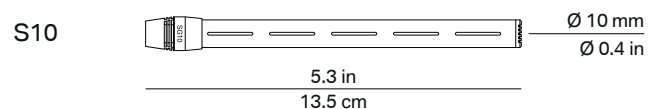
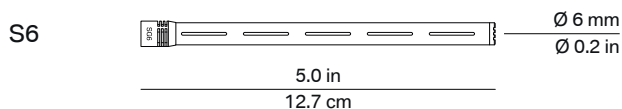

S6

S10

Features

- Highly efficient off-axis rejection
- High gain before feedback
- Clear speech intelligibility
- 48 V phantom power

Dimensions



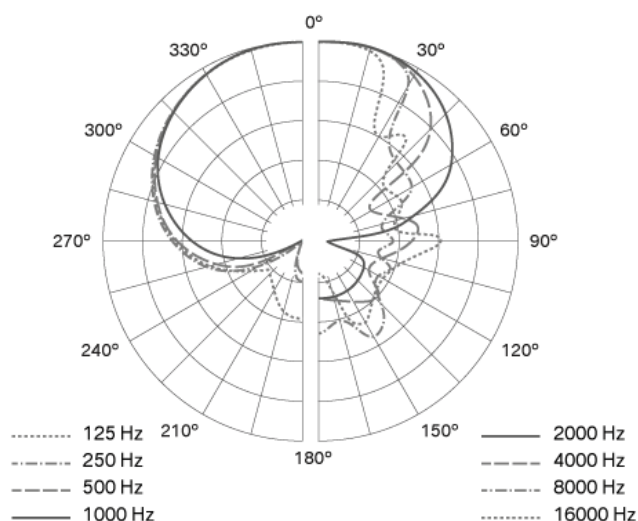
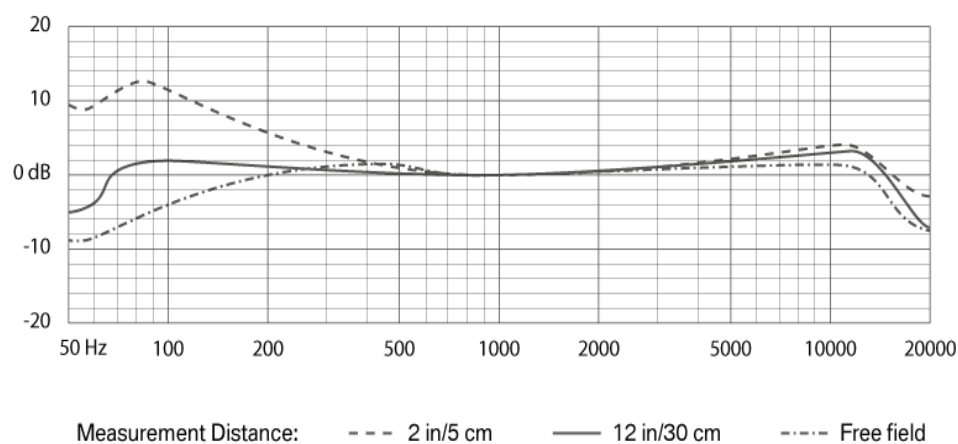
Specifications S6

Acoustical operating principle	Pressure gradient transducer, permanently polarized
Transducer Ø	10 mm, 0.4 in
Frequency range	65 ... 16,000 Hz
Sensitivity	32.3 mV / Pa, -29.8 dBV
Equivalent noise level	28.8 dB (A)

Dynamic range	81.8 dB (A)
Max. SPL for 0.5 % THD	110.6 dB SPL
Supply voltage	48 V ± 4 V
Current consumption	1.8 mA
Connector	Custom thread

Specifications S10

Acoustical operating principle	Pressure gradient transducer, permanently polarized	Dynamic range	85.2 dB (A)
Transducer Ø	10 mm, 0.4 in	Max. SPL for 0.5 % THD	107 dB SPL
Frequency range	65 ... 16,000 Hz	Supply voltage	48 V ± 4 V
Sensitivity	50.5 mV / Pa, -25.9 dBV	Current consumption	1.8 mA
Equivalent noise level	21.8 dB (A)	Connector	Custom thread



Gooseneck

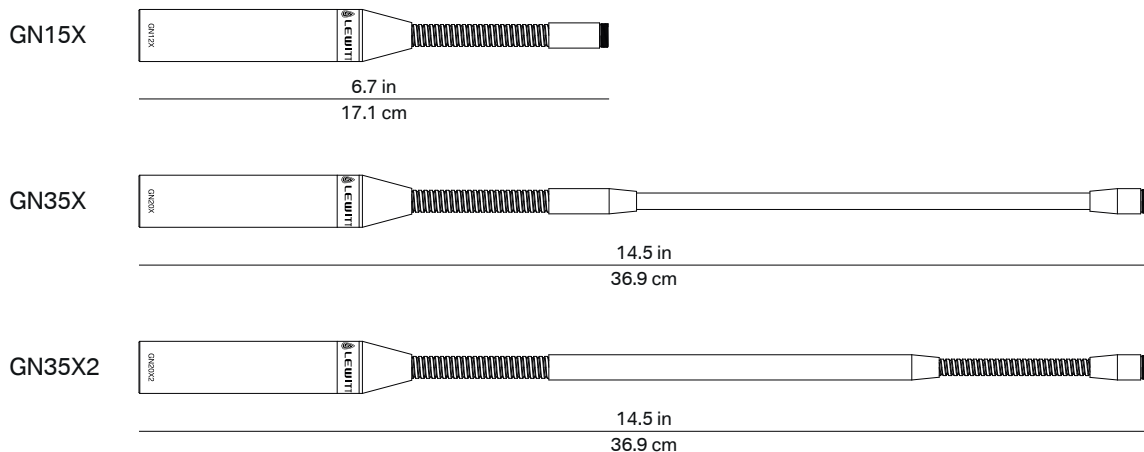
Our goosenecks are compatible with any microphone base featuring a 3-pin XLR connector. Fully adjustable with minimal handling noise for professional ease of use. Available in different sizes. Compatible with the **S6** and **S10** condenser capsule.


GN15X
GN35X
GN35X2

Features

- Rugged metal construction
- Highly flexible and stable
- Minimal handling noise
- 48 V phantom power
- 3-pin XLR connector

Dimensions



Microphone base

These modern shapes efficiently minimize structure-borne noise. The material is rugged and features a non-reflective matte black coating. Provides a solid base for 3-pin XLR gooseneck microphones. Features a mute button with clear visual feedback (**B70AS**).


B70A

B70AS

Features

- Dampens structure-borne noise
- Mute button with clear visual feedback (**B70AS**)
- Sturdy and reliable zinc die-cast housing
- 48 V phantom power
- 3-pin XLR connector

Dimensions

